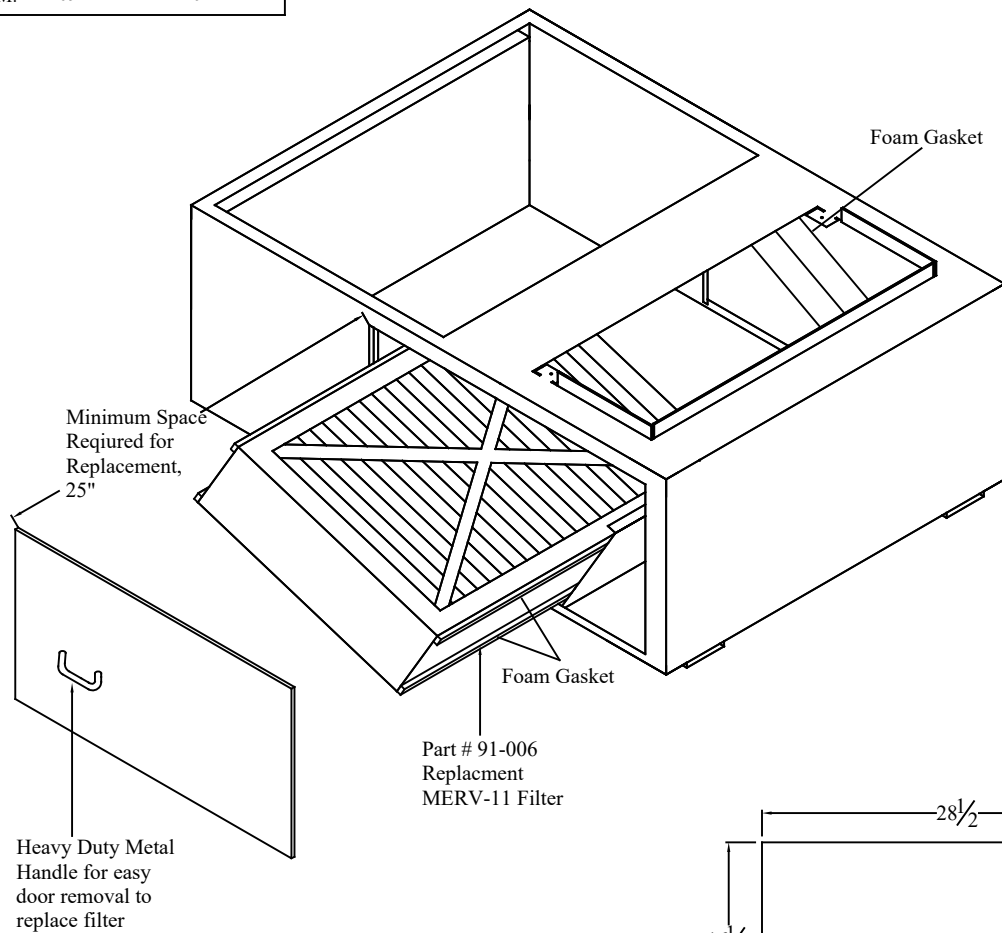
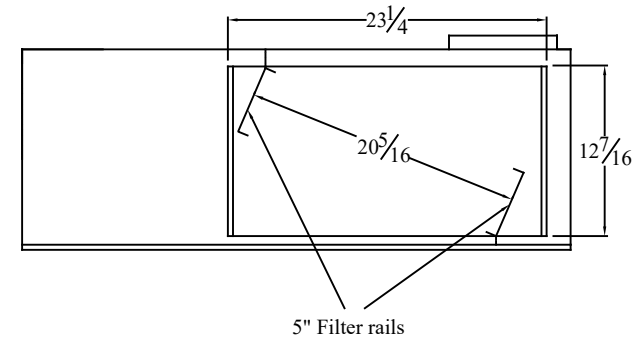
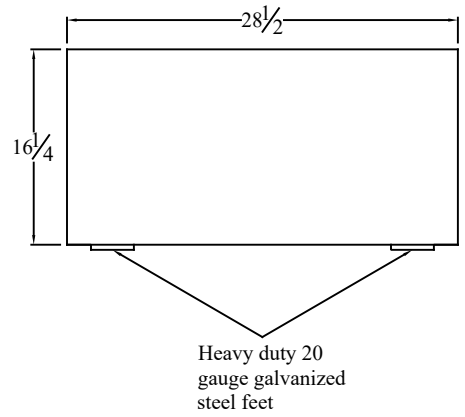
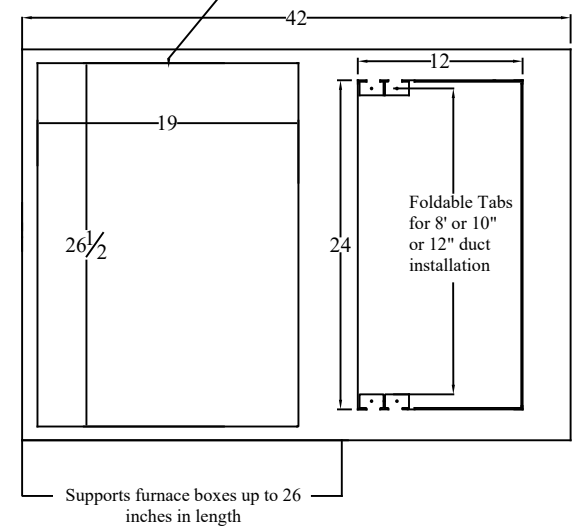


Specifications	
Material:	20/26 Gauge Domestic Steel (Low Lead Content)
Design Weight Capacity:	300 lbs.
Pressure Drop @ 1000 CFM:	.09 Inches of H2O



Unit ships with 2 adjustable plates to reduce opening to from 19" to 11.75"



Ultravation, Inc. 67 Tubbs Ave Brandon Vermont 05733. Ph: 802-247-0034 Fx: 802-247-0033 www.Ultravation.com	Part #: 90-033	Drawing #: DC-IH-3028	Rev -B
	Description: Insulated Furnace support box SBL system, w/ 20x25x5 MERV-11 filter, Galvanized finish unpainted.		
Date: 10/30/06	Scale:	Creator: JSM	