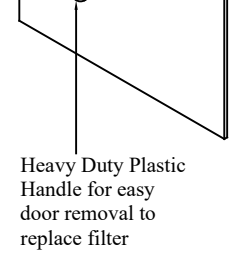
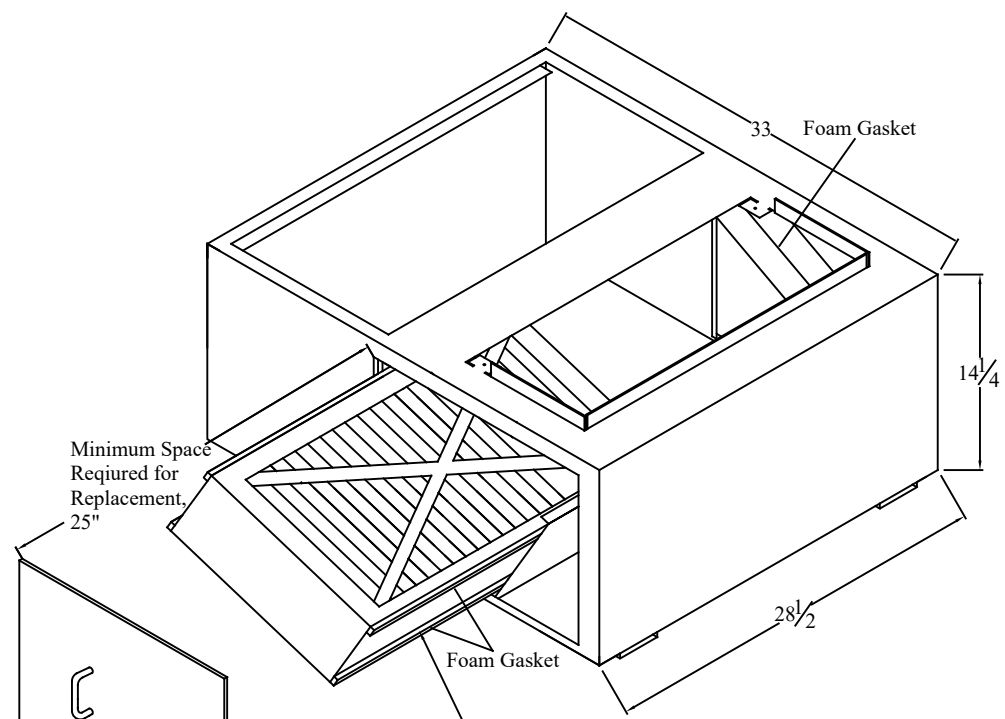
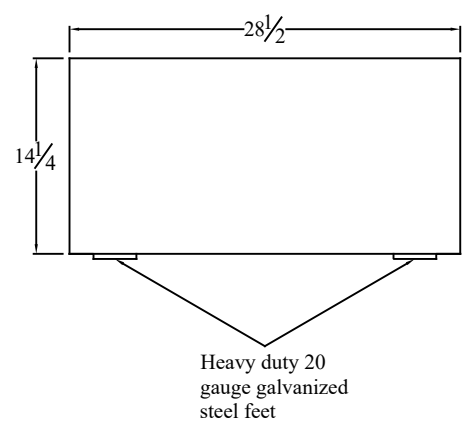


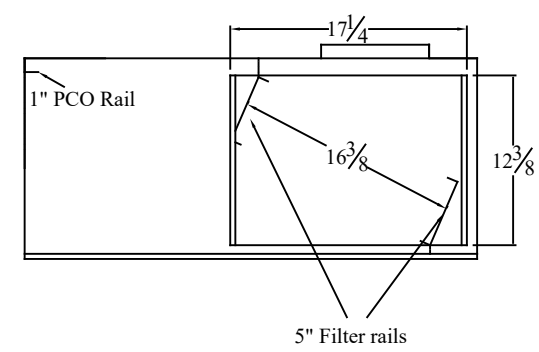
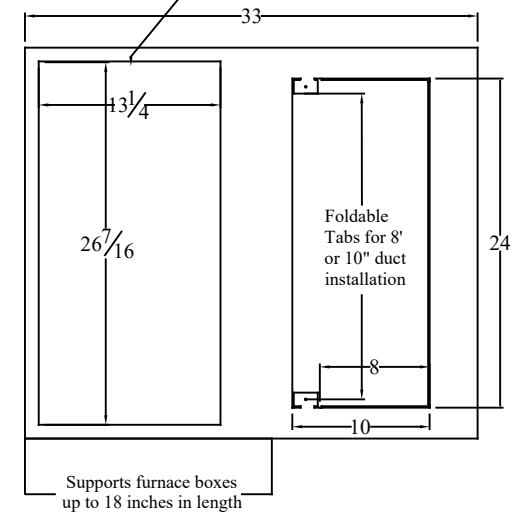
Specifications	
Material:	20/22 Gauge Domestic Steel (Low Lead Content)
Design Weight Capacity:	300 lbs.
Pressure Drop @ 1000 CFM:	.15 Inches of H2O



Part # 91-005
Replacement
MERV-11 Filter



Unit ships with 2 adjustable plates to reduce opening to from 13.25" to 6.25"



Ultravation, Inc. 67 Tubbs Ave Brandon Vermont 05733. Ph: 802-247-0034 Fx: 802-247-0033 www.Ultravation.com	Part #: 90-028	Drawing #: DC-IH-3023	Rev -*
	Description: Un-insulated Furnace support box SBS system, w/ 16x25x5 MERV-11 filter, Galvanized finish unpainted.		
Date: 10/30/06	Scale:	Creator: JSM	