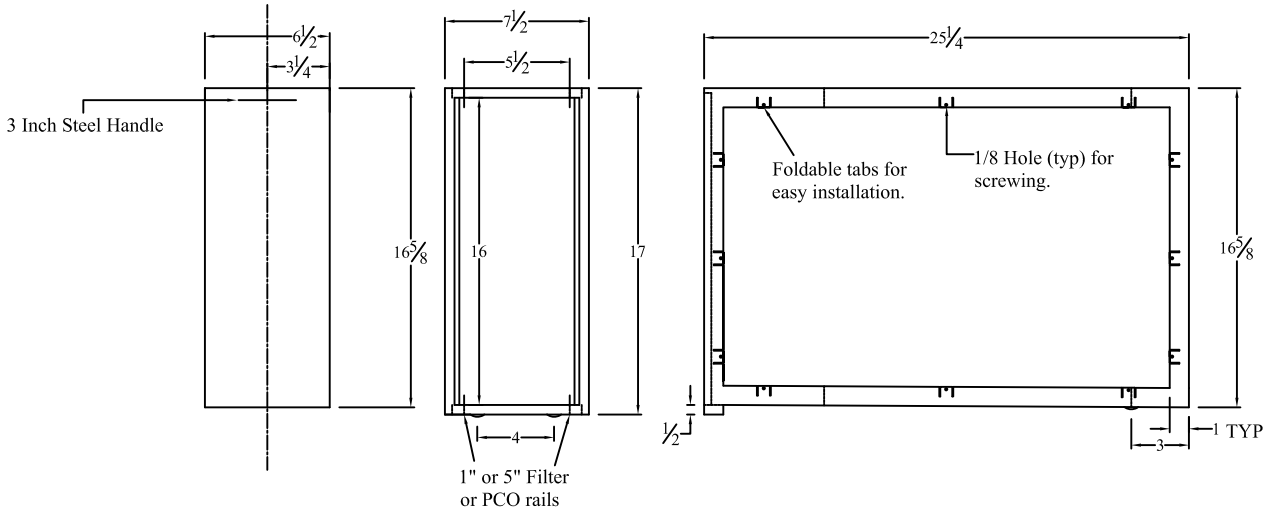
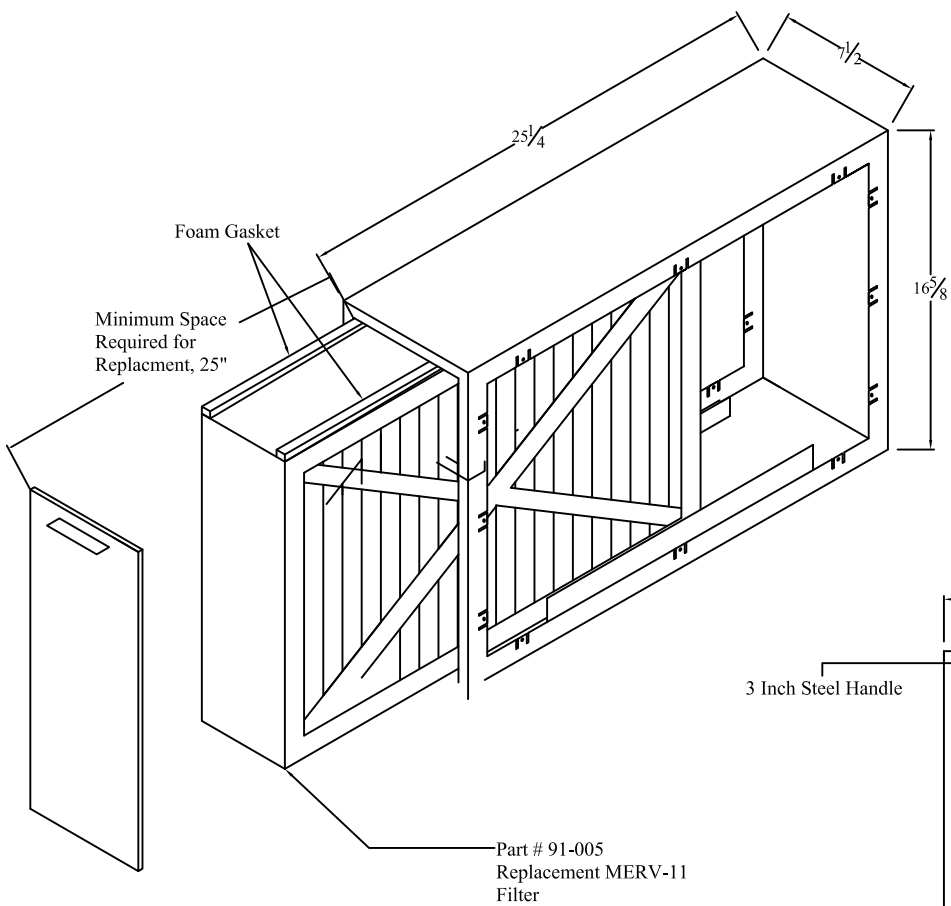
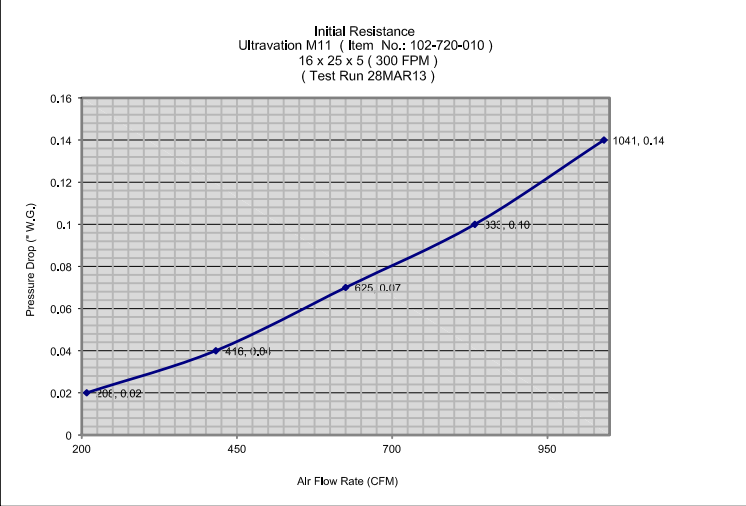


Specifications	
Material:	22 Gauge Domestic Steel (Low Lead Content)
Design Weight Capacity:	275 lbs.
Pressure Drop @ 1000 CFM:	.14 Inches of H2O



Ultravation, Inc. 67 Tubbs Ave Brandon Vermont 05733. Ph: 802-247-0034 Fx: 802-247-0033 www.Ultravation.com	Part #:90-006	Drawing #:DC-IH-3003	Rev -*
	Description:Media Air Cleaner w/ 16x25x5 MERV-11 Filter standard powder coated white finish.		
Date: 10/27/06	Scale:	Creator: JSM	