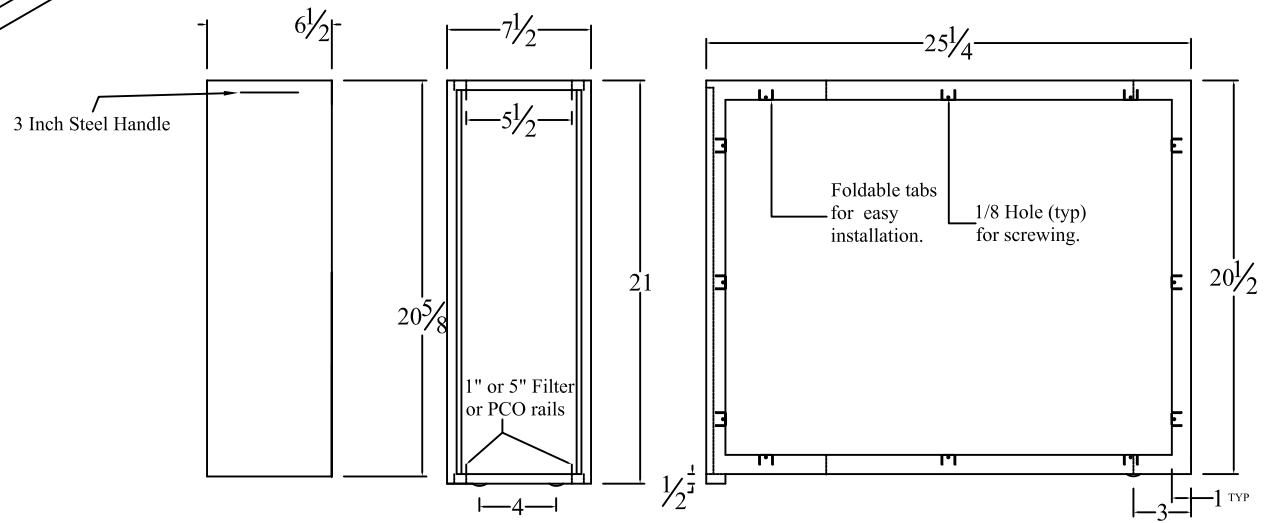
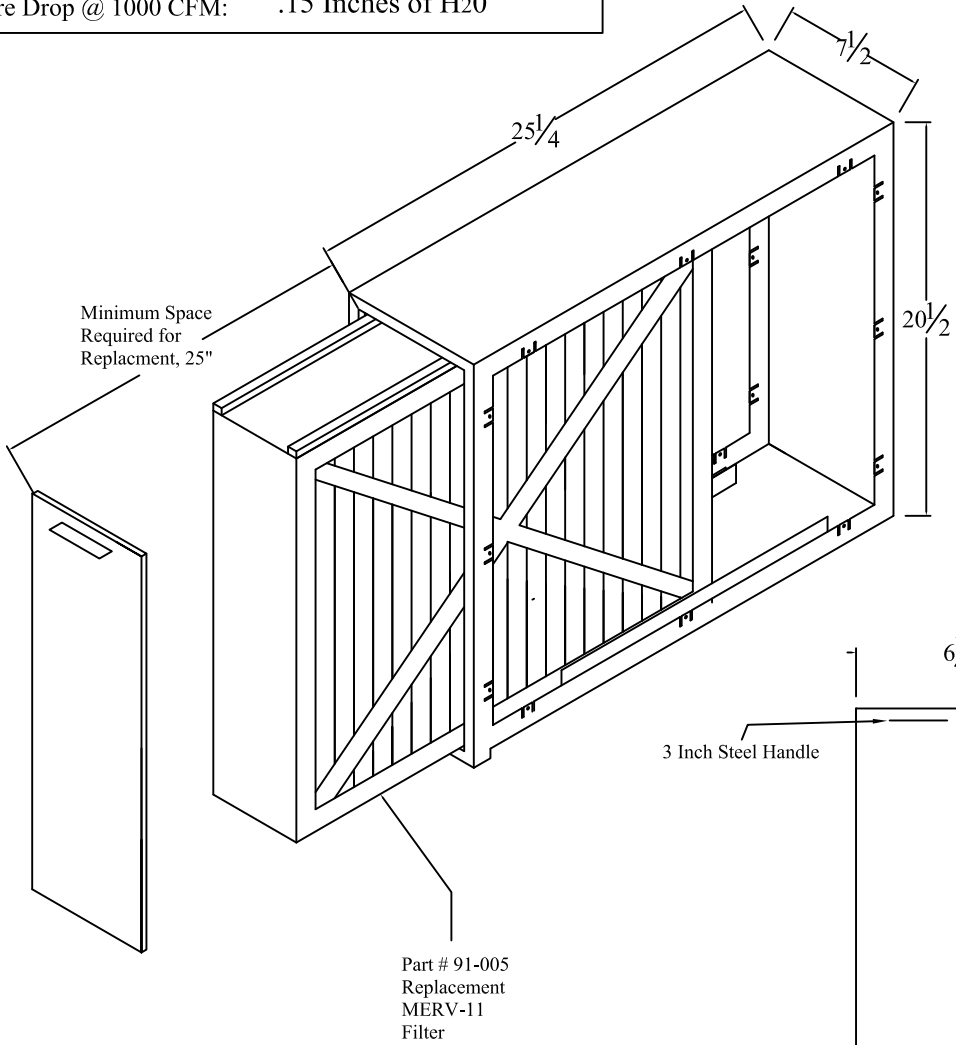
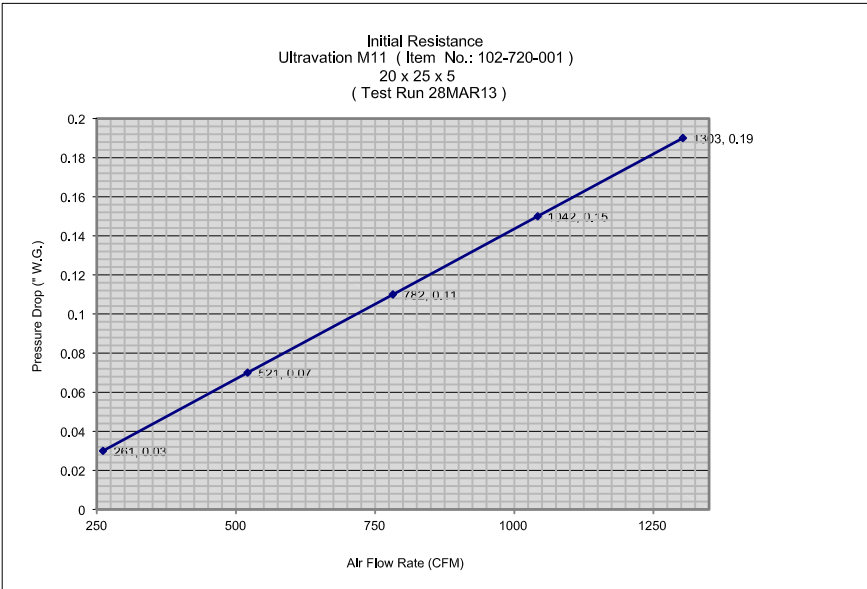


Specifications
Material: 22 Gauge Domestic Steel (Low Lead Content)
Design Weight Capacity: 275 lbs.
Pressure Drop @ 1000 CFM: .15 Inches of H2O



Ultravation, Inc. 67 Tubbs Ave Brandon Vermont 05733. Ph: 802-247-0034 Fx: 802-247-0033 www.Ultravation.com	Part #: 90-007	Drawing #: DC-IH-3304	Rev -*
	Description: Media Air Cleaner w/ 20x25x5 MERV-11 Filter Galvanized Cabinet standard powder coated white finish.		
Date: 10/27/06	Scale:	Creator: JSM	