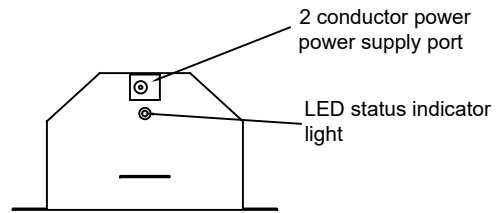
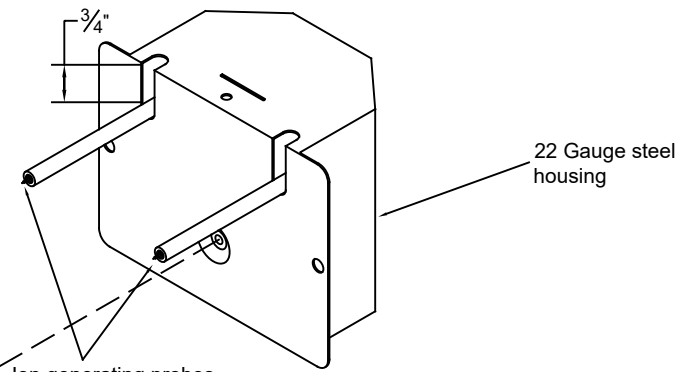
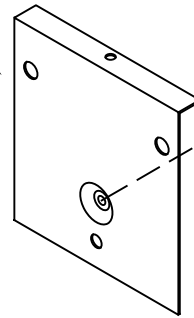


# Specifications

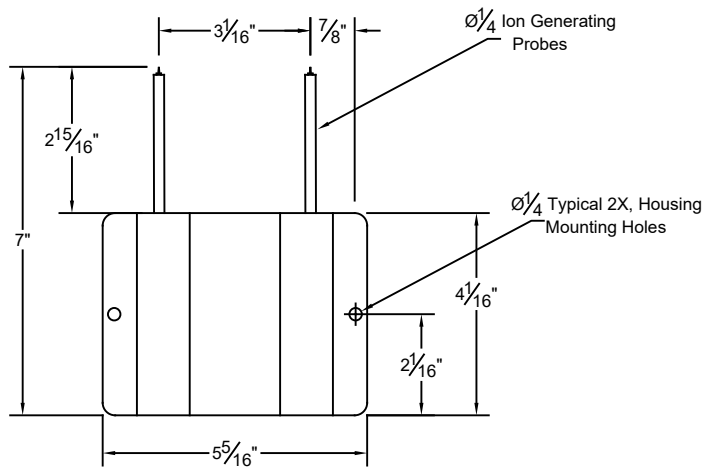
Input Voltage: 120 VAC
Power Consumption: 6 Va
Total Ion Output: > 320 Million +/- Ions/cc
Needle Point Count: 2 Total, 1 Positive / 1 Negative



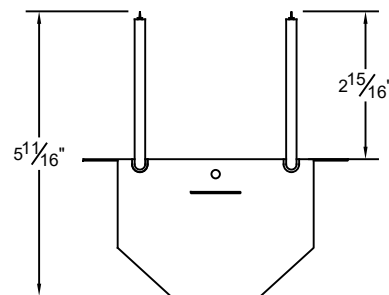
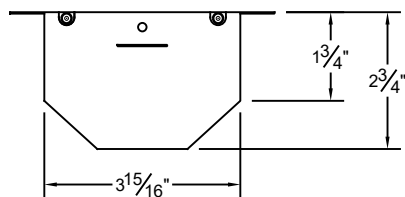
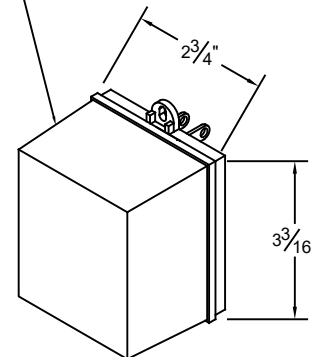
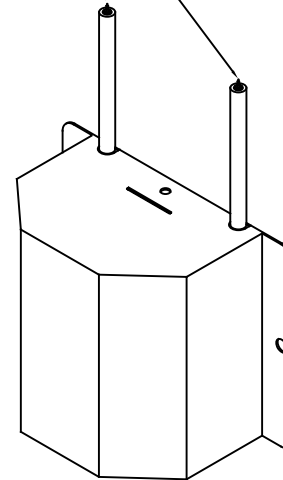
Included multi-position mounting plate



Ion generating probes with adjustable positioning for internal or external mounting



Supplied: 94-135, 120 VAC 60 Hz. .5 Amp Power Supply; Output Power: 24 VAC 50 VA



## Ultravation, Inc.

212 Ideal Way  
 Poultney, Vermont 05764  
 Ph: 802-287-9735  
 Fx: 802-287-9203  
 www.Ultravation.com

Part #: OR1205T | Drawing #: OR1205T-DSS-120Vlon | Rev -\*

Description: Positive/Negative Ion generator, Supplied with 120 VAC outlet adapter. Galvanized steel internal/external mount up to 6 ton.

Date: 10/15/20 | Scale: NTS | Creator: JSM