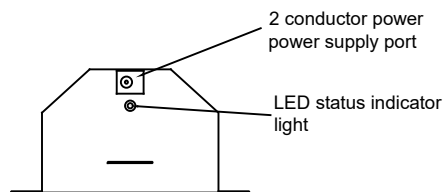
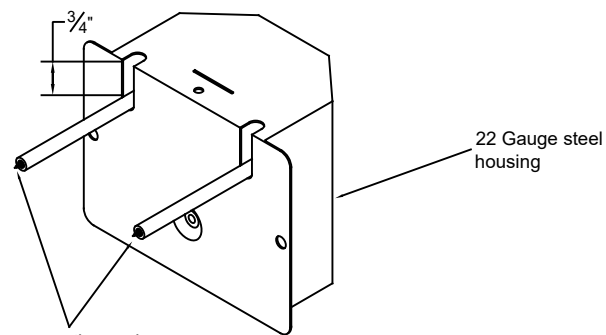
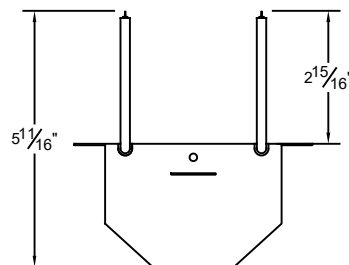
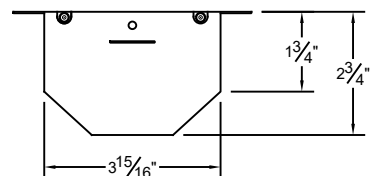
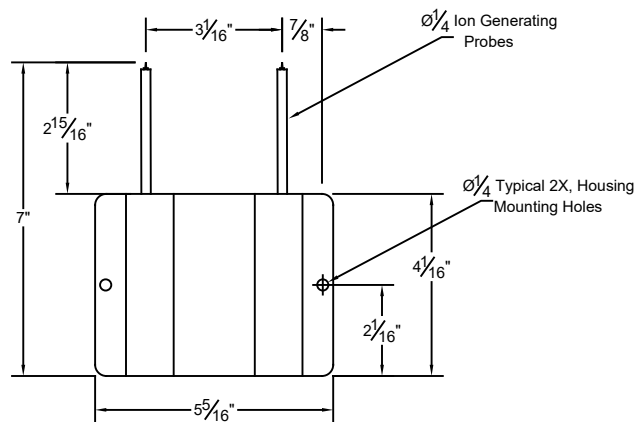
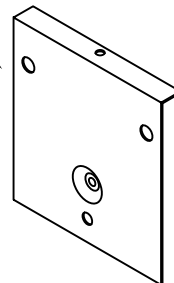


# Specifications

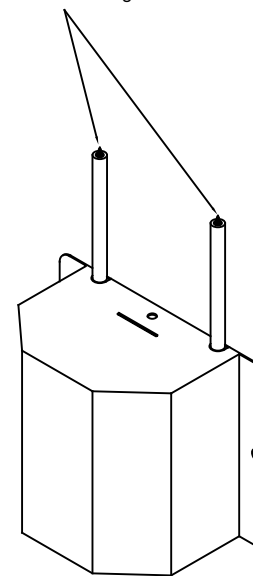
|   |
|---|
| Input Voltage: 24 VAC (Supplied with Multi-tap Transformer) |
| Power Consumption: 6 Va                                     |
| Total Ion Output: > 300 Million +/- Ions/cc O3 < 5PPB       |
| Needle Point Count: 2 Total, 1 Positive / 1 Negative        |



Included multi-position mounting plate



Ion generating probes with adjustable positioning for internal or external mounting



## Ultravation, Inc.

212 Ideal Way  
 Poultney, Vermont 05764  
 Ph: 802-287-9735  
 Fx: 802-287-9203  
[www.Ultravation.com](http://www.Ultravation.com)

|                |                              |        |
|----------------|------------------------------|--------|
| Part #: OR245T | Drawing #: OR245T-DSS-24Vlon | Rev -* |
|----------------|------------------------------|--------|

Description: 24 vac pos/neg. Ion generator stainless steel internal/ external mount up to 6 ton.

|               |            |              |
|---------------|------------|--------------|
| Date: 5/15/20 | Scale: NTS | Creator: JSM |
|---------------|------------|--------------|