

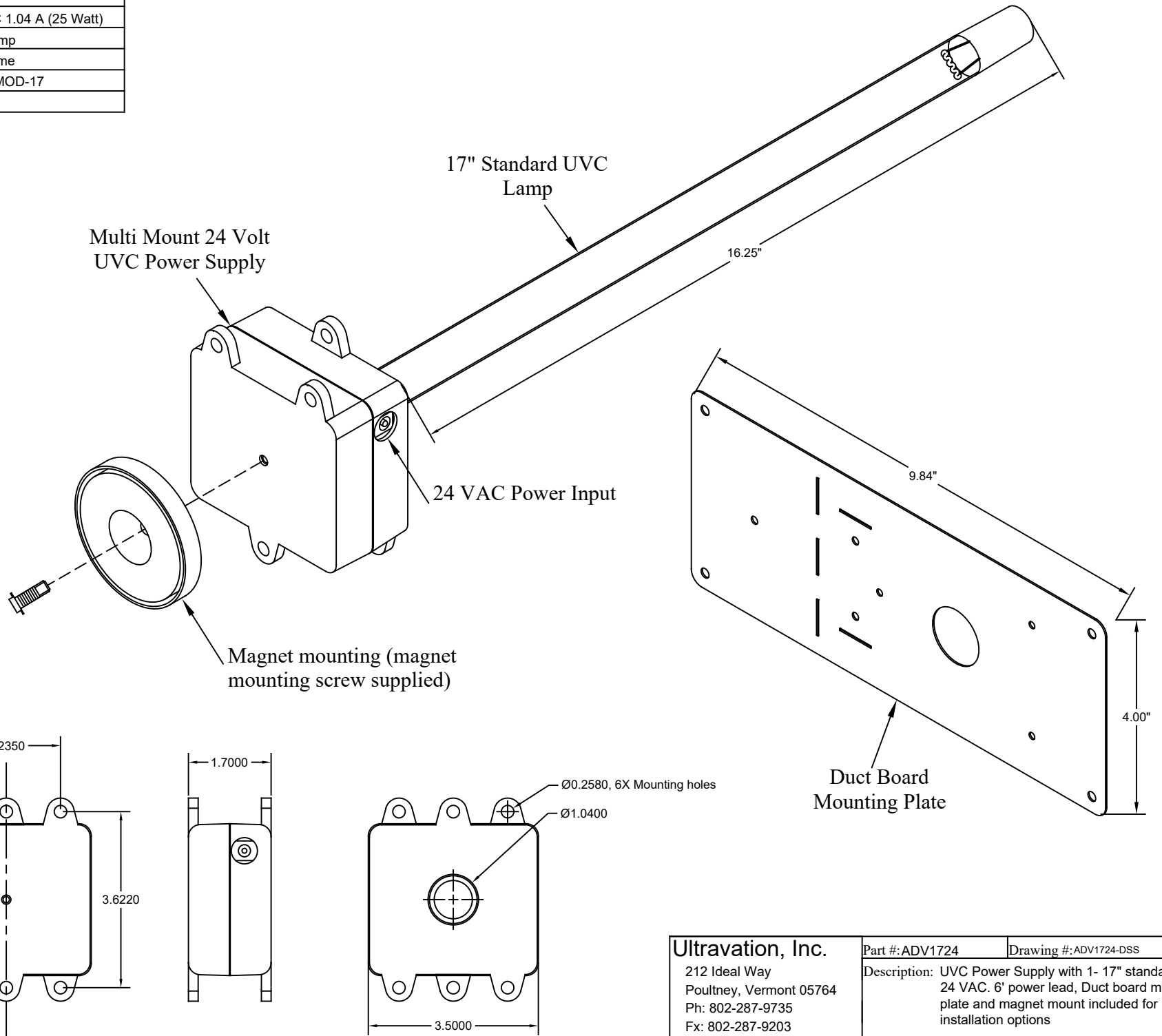
# Specifications

Power Consumption: 24 VAC 1.04 A (25 Watt)

Lamp Length: 1 - 17" UVC Lamp

Lamp Life: 9000 hours of runtime

Replacement Module: UVC-MOD-17



## Ultravation, Inc.

212 Ideal Way  
 Poultney, Vermont 05764  
 Ph: 802-287-9735  
 Fx: 802-287-9203  
 www.Ultravation.com

Part #: ADV1724	Drawing #: ADV1724-DSS	Rev -*
Description: UVC Power Supply with 1- 17" standard lamp. 24 VAC. 6' power lead, Duct board mounting plate and magnet mount included for multiple installation options		
Date: 8/11/20	Scale:	Creator: JSM