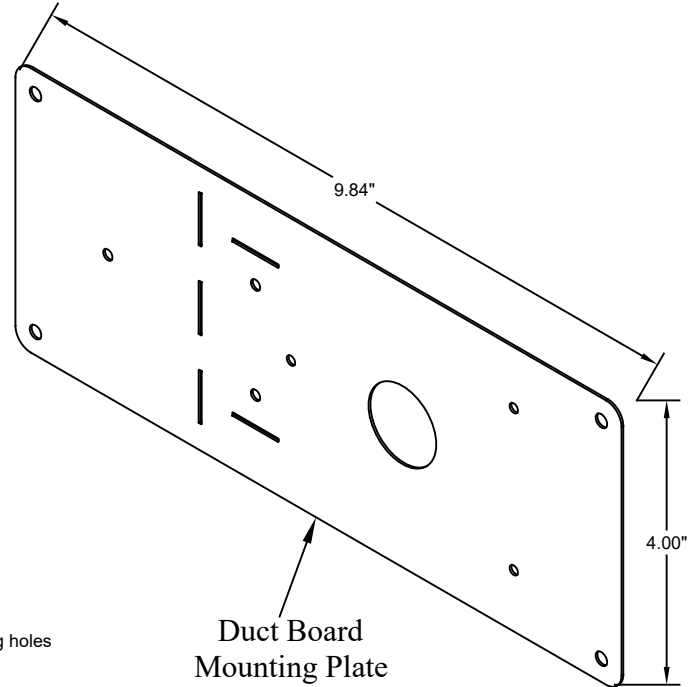
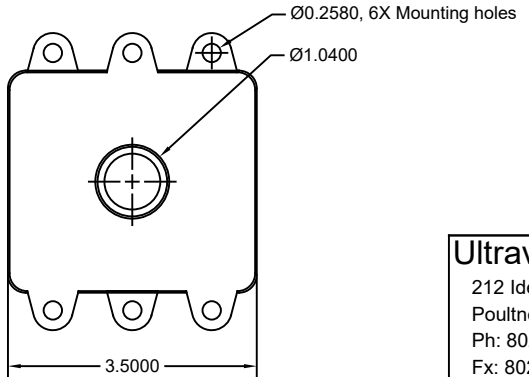
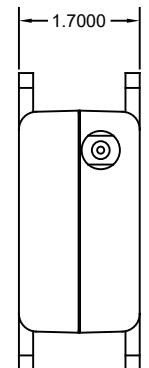
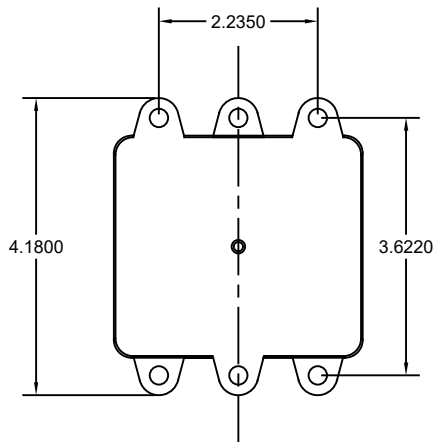
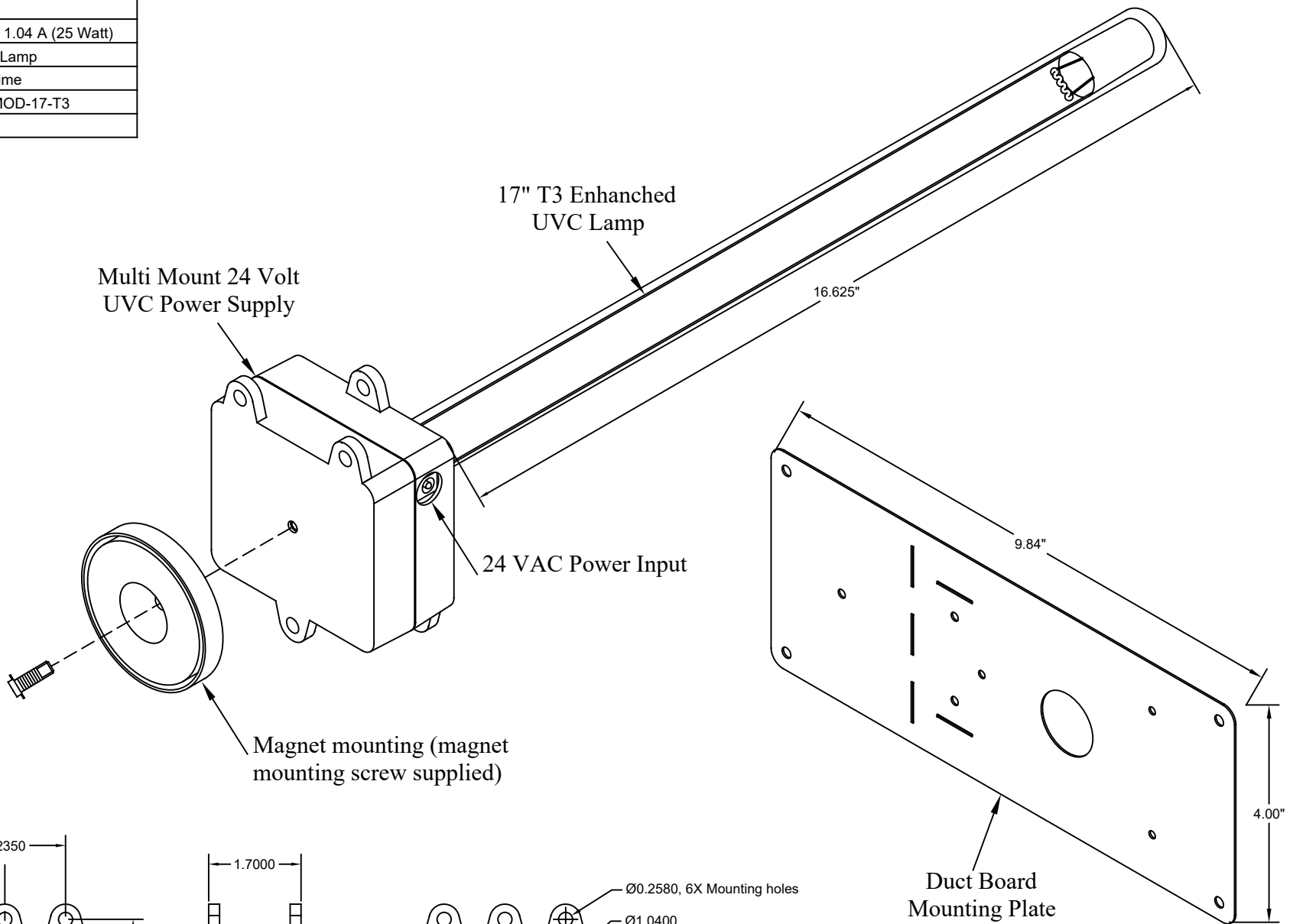


Specifications

Power Consumption: 24 VAC 1.04 A (25 Watt)
Lamp Length: 1 - 17" T3 UVC Lamp
Lamp Life: 18000 hours of runtime
Replacement Module: UVC-MOD-17-T3



Ultravation, Inc. 212 Ideal Way Poultney, Vermont 05764 Ph: 802-287-9735 Fx: 802-287-9203 www.Ultravation.com	Part #: ADV1724-T3	Drawing #: ADV1724-T3-DSS	Rev -*
	Description: UVC Power Supply with 1- 17" T3 Enhanced lamp. 24 VAC. 6' power lead, Duct board mounting plate and magnet mount included for multiple installation options		
Date: 8/11/20	Scale:	Creator: JSM	