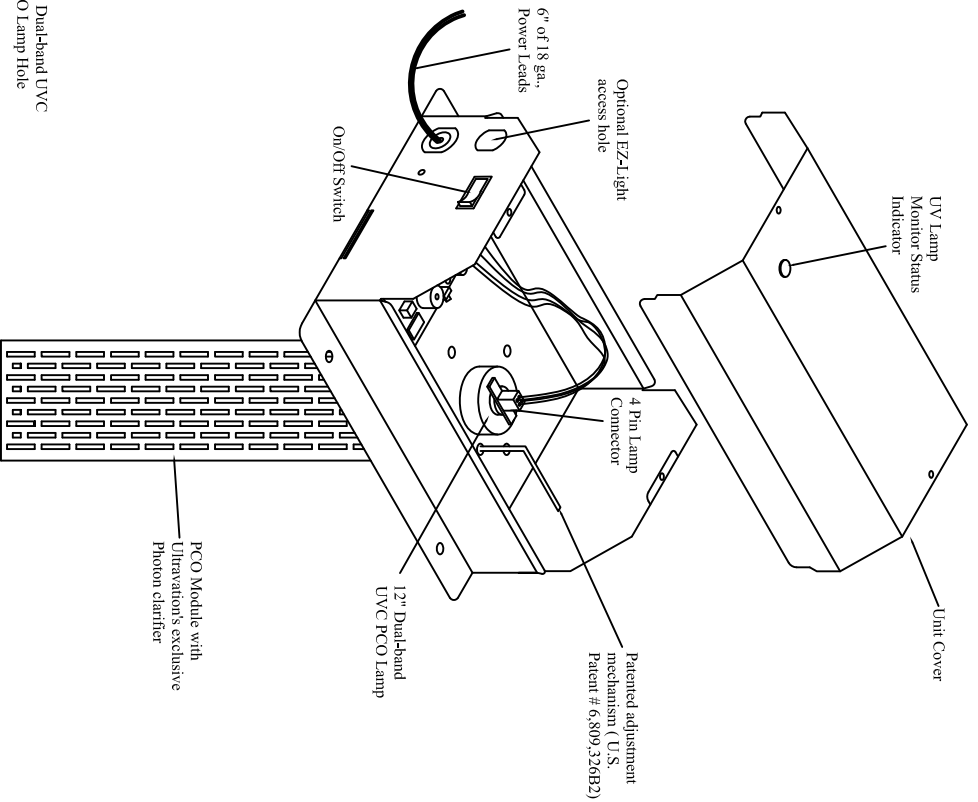
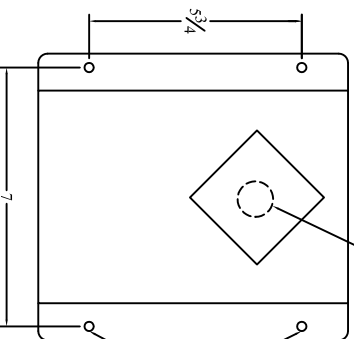
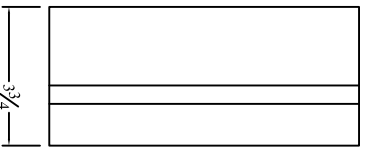
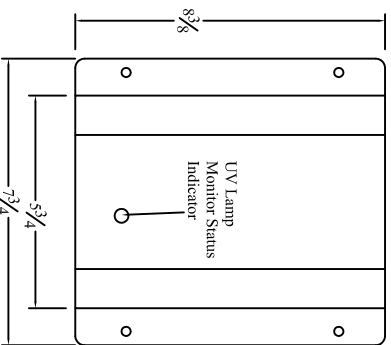
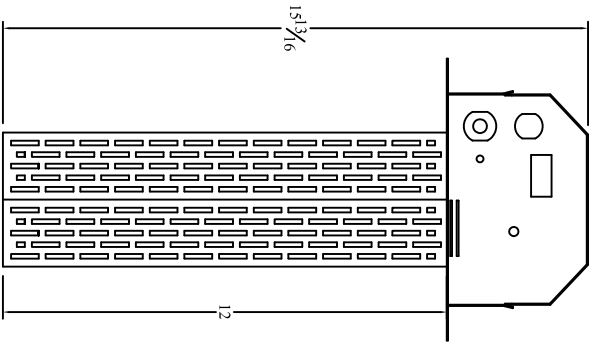


Specifications

Housing Material: Powder Coated 20 Ga. Galvanized Steel
Power Consumption: 20 Watts
Number of Lamps: 1 - 12" PCO Lamp
Oxidation Adjustment: 3000F ² to 5000F ²



Ultravation, Inc.

2112 Ideal Way
 Poulinery, Vermont 05764
 Ph: 802-287-9735
 Fx: 802-287-9203
 www.Ultravation.com

Part #: PTX-1224F	Drawing #: DC-IR-330	Rev -*
-------------------	----------------------	--------

Description: 1 - 12" Dual Spectrum UVC Fixed Lamp System, 24 VAC 40 Va. Includes multi-tap transformer to adapt to all voltages 120-240v. Also included is the UV Lamp Monitor and Patented adjustable advanced oxidation to reduce odors and microorganisms

Date: 10/10/09 Scale: NTS Creator: JSM